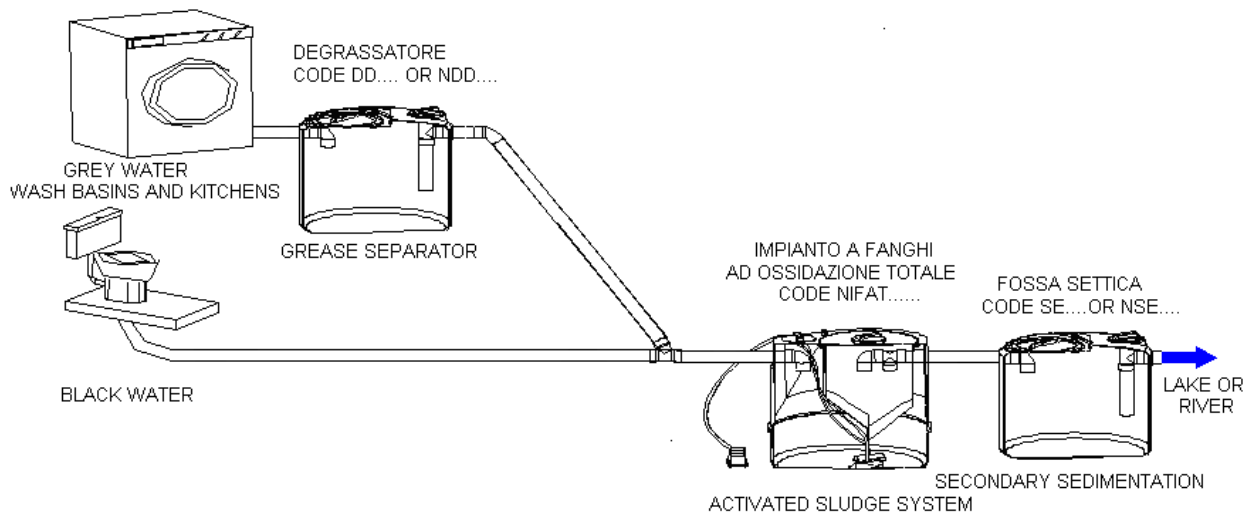
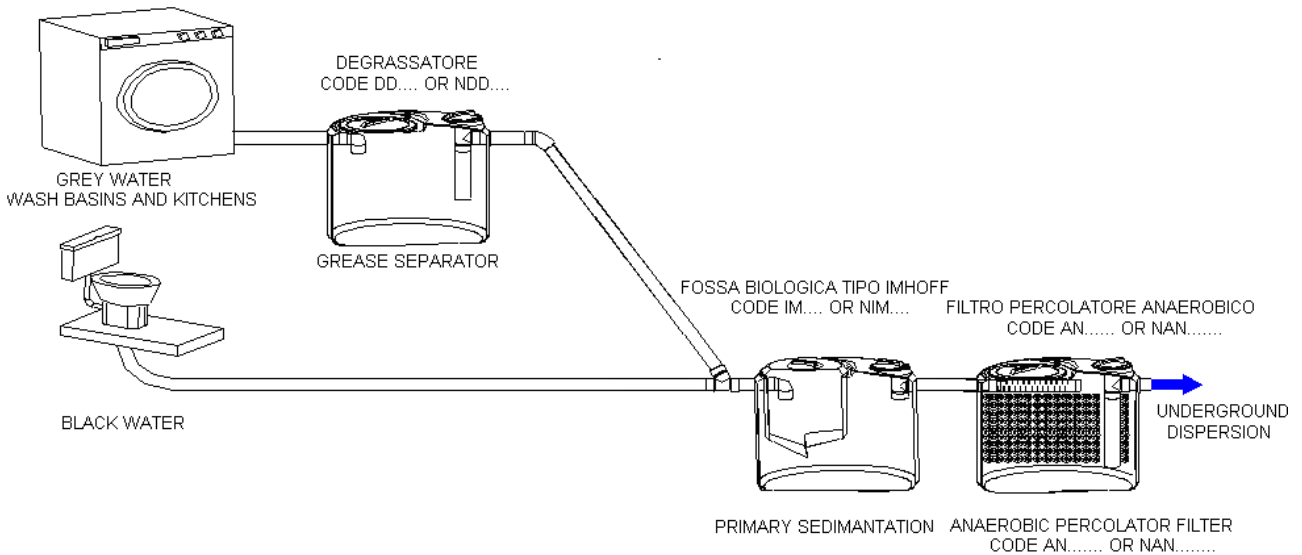
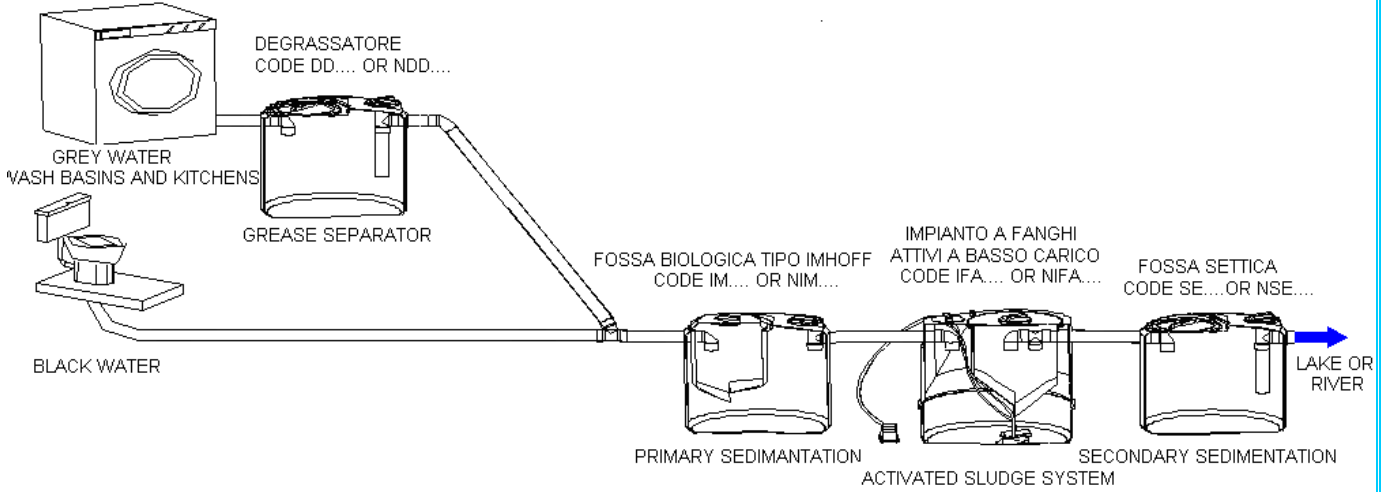


POSSIBLE LAY-OT OF SEWAGE TREATMENT



Rototec SpA Thecnical Bureau